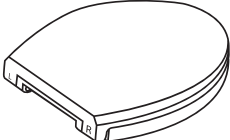
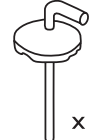





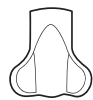


Light Oak Effect Wooden Toilet Seat Instruction Manual

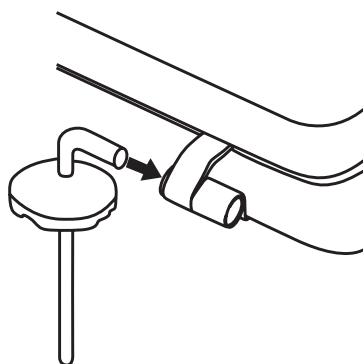
Important: If parts are missing, please contact Beldray at customersupport@beldray.com

Parts

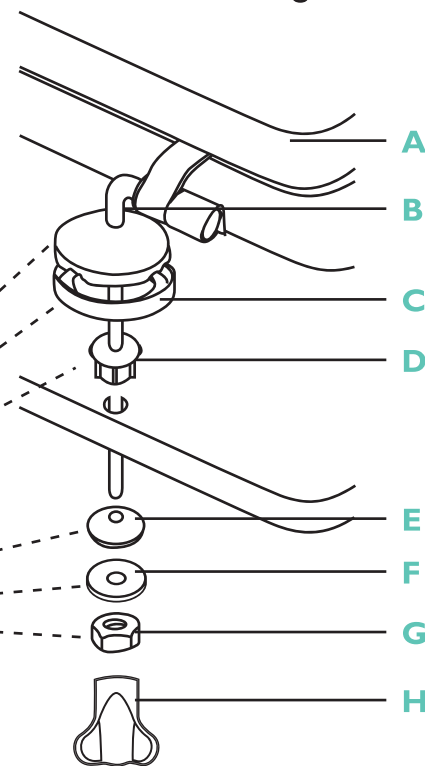
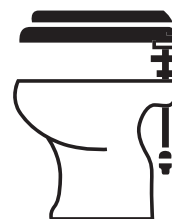
A Toilet seat 	B Fixture hinge  x 2 pcs
C Fixture hinge washers  x 2 pcs	D Centering discs  x 2 pcs
E Rubber washers  x 2 pcs	F Metal washers  x 2 pcs
G Screw nuts  x 2 pcs	H Assembly tool 

Assemble the parts as shown below, making sure that all of the screws are tightened.

Step 1



Step 2



Care and Maintenance

The toilet should be cleaned regularly for hygiene purposes. Wipe the toilet seat with a soft, damp cloth and a mild detergent; allow to dry thoroughly. Do not use harsh or abrasive cleaning agents or scourers to clean the toilet

seat, as this could cause damage.

Caution

Do not stand on the lid or ring of the toilet seat. Do not use the toilet seat as a normal seat. Do not push down on the lid whilst it is closing.

Warning

This product is not a toy. Keep out of the reach of children. For domestic use only, not recommended for commercial purposes.