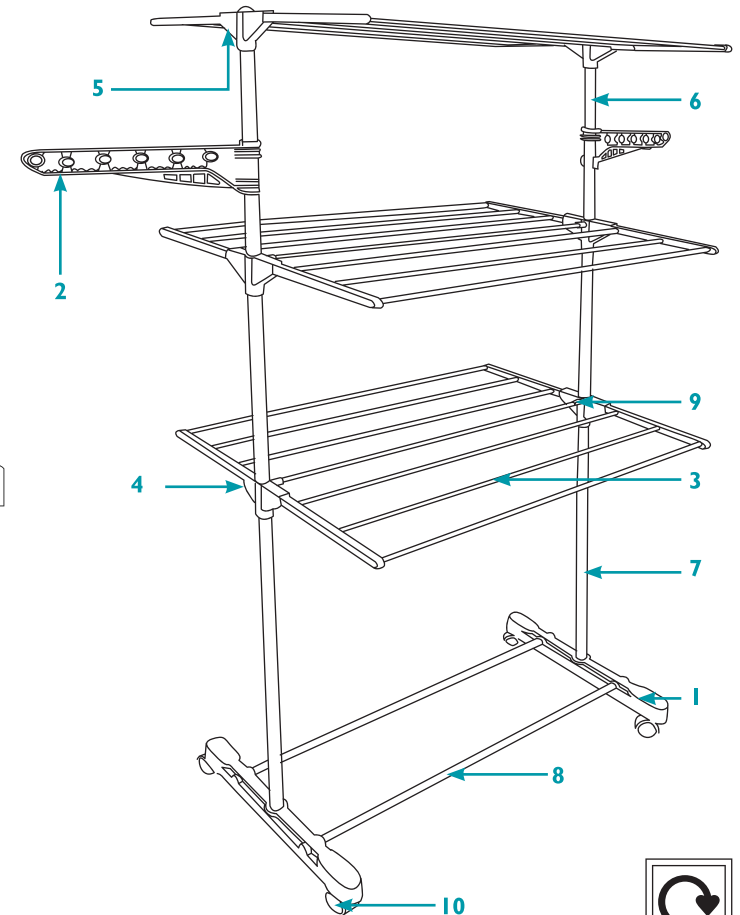
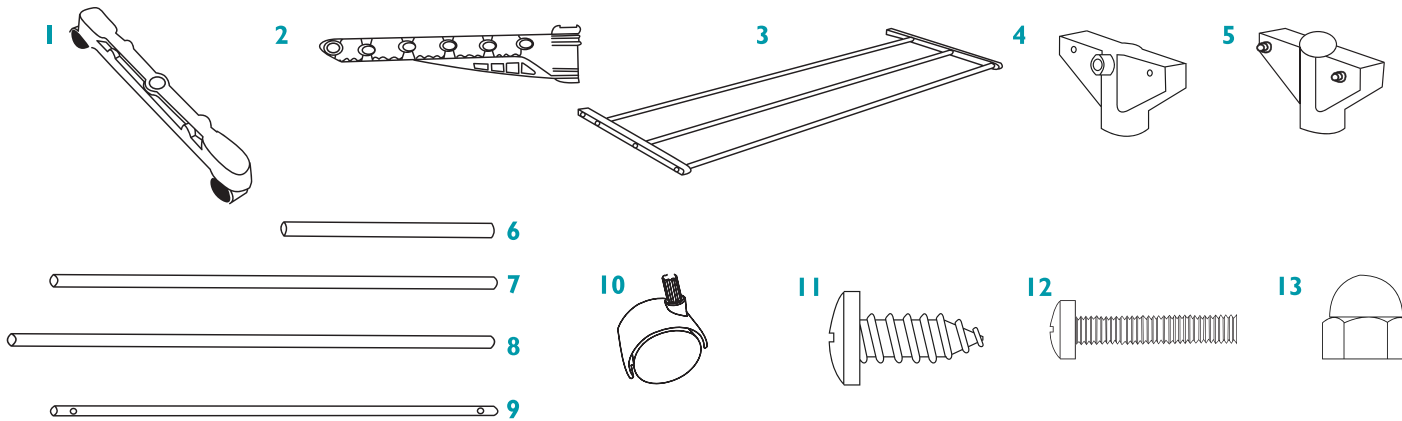


3-Tier Deluxe Clothes Airing Instruction Manual

Description of Parts

- | | | |
|---------------------------------------|----------------------------------|----------------------------|
| 1. Airing feet | 6. Short pole (420 mm) (qty. 4) | 11. Small screws (qty. 6) |
| 2. Hanging hooks (qty. 2) | 7. Medium pole (720 mm) (qty. 2) | 12. Large screws (qty. 12) |
| 3. Tiers (qty. 6) | 8. Large pole (780 mm) (qty. 2) | 13. Capped nuts (qty. 12) |
| 4. Tier fasteners (qty. 4) | 9. Central pole (qty. 3) | |
| 5. Capped top tier fasteners (qty. 2) | 10. Wheels (qty. 4) | |



Instructions

STEP 1: Assemble the base by firmly fixing the two large poles (8) into the airtight feet (1).

STEP 2: Insert the medium poles (7) into the airtight feet.

STEP 3: Attach a tier fastener (4) to each end of a central pole (9). Turn it upside down and check that the screw holes on the pole are aligned with the holes in the fasteners. Use a small screw (11) to secure into place.

STEP 4: Fix a central pole (9) with tier fasteners (4) onto the medium poles.

STEP 5: Repeat steps 2-4 with the short poles (6), using the capped tier fasteners (5) for the top level.

STEP 6: Carefully turn the airtight frame onto its side, exposing the bottom of the airtight feet (1) and secure the wheels (10) into place. Stand the airtight upright.

STEP 7: Attach a tier (3) by inserting it into the tier fastener, ensuring that the screw holes are aligned. Fix the tier into place with a screw (12) and then secure with a nut (13). Repeat this step with the remaining tiers.

STEP 8: The tiers can be folded down for easy storage. To do so, pull them out and away from the screws and then hinge them downwards. Reassemble the tiers by pulling them up and away from the airtight frame and then pushing them in towards the screws, until they lock into position.

STEP 9: To attach the hanging hooks (2), fasten the top clip onto the pole and then gently pull the bottom clip around the pole until it can be secured into position.

Warning: To avoid the airtight tipping over during use, laundry must be evenly distributed across both sides of the airtight.



www.beldray.com

Made in China.

Distributed by: UP Global Sourcing UK Ltd, Victoria Street, Manchester, OL9 0DD, UK.
+44 (0)333 577 9820 | customersupport@beldray.com

©Beldray Trademark. All rights reserved. Product Code: Product Code: LA023773TQ