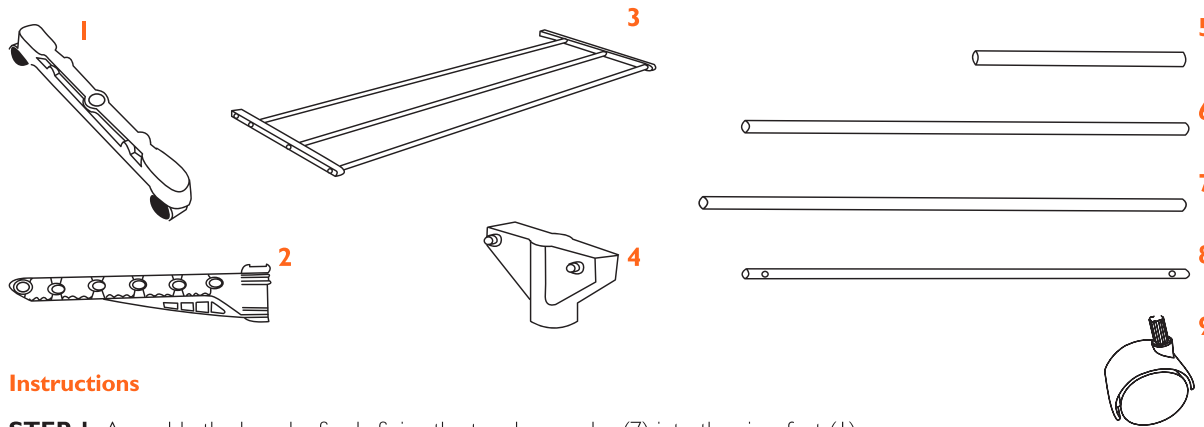


3 Tier Deluxe Clothes Airing Instruction Manual

Description of Parts

- 1. Ainer feet
- 2. Hanging hooks (x 2)
- 3. Tiers (x 6)
- 4. Tier fasteners (x 6)
- 5. Short pole (420 mm) (x 4)
- 6. Medium pole (720 mm) (x 2)
- 7. Large pole (780 mm) (x 2)
- 8. Central pole (x 3)
- 9. Wheels (x 4)



Instructions

STEP 1: Assemble the base by firmly fixing the two large poles (7) into the ainer feet (1).

STEP 2: Insert the medium poles (6) into the ainer feet and then attach a tier fastener (4) on top of each pole. Position a central pole (8) in-between the two tier fasteners, then check that all of the poles and fasteners are securely in place and pushed in as far as they will go.

STEP 3: Repeat step 2 with the short poles (5) and then complete the ainer frame by attaching the capped tier fasteners.

STEP 4: Carefully turn the ainer frame onto its side, exposing the bottom of the ainer feet (1) and secure the wheels (9) into place. Stand the ainer upright.

STEP 5: Attach a tier (3) by inserting it into the tier fastener, ensuring that the screw holes are aligned. Fix the tier into place with a screw and then secure with a nut. Repeat this step with the remaining tiers.

STEP 6: The tiers can be folded down for easy storage. To do so, pull them out and away from the screws and then hinge them downwards. Reassemble the tiers by pulling them up and away from the ainer frame and then pushing them in towards the screws, until they lock into position.

STEP 7: To attach the hanging hooks (2), fasten the top clip onto the pole and then gently pull the bottom clip around the pole until it can be secured into position.

Warning: To avoid the ainer tipping over during use, laundry must be evenly distributed across both sides of the ainer.

